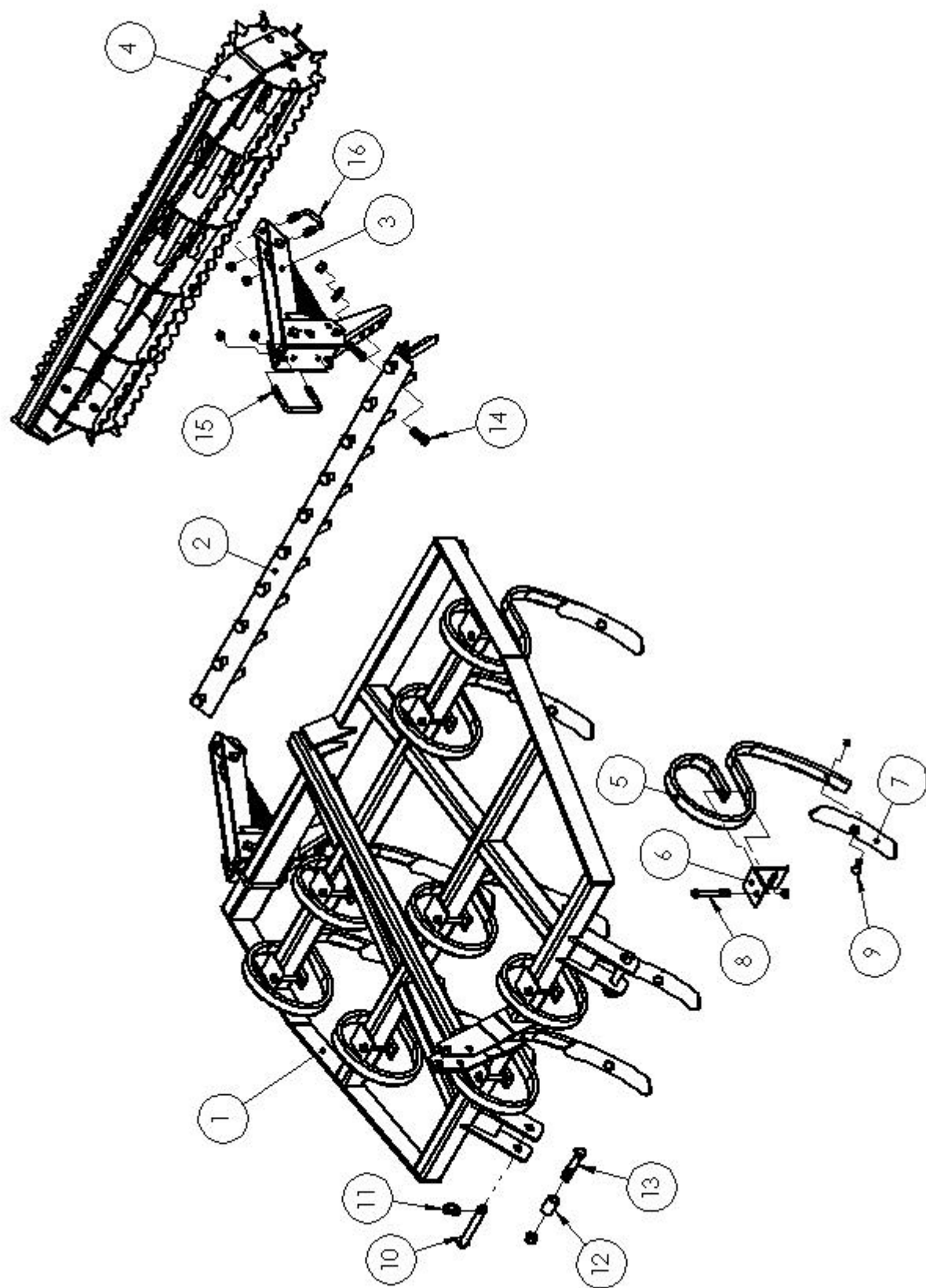


SC-SOIL CONDITIONER SUB-ASSEMBLIES

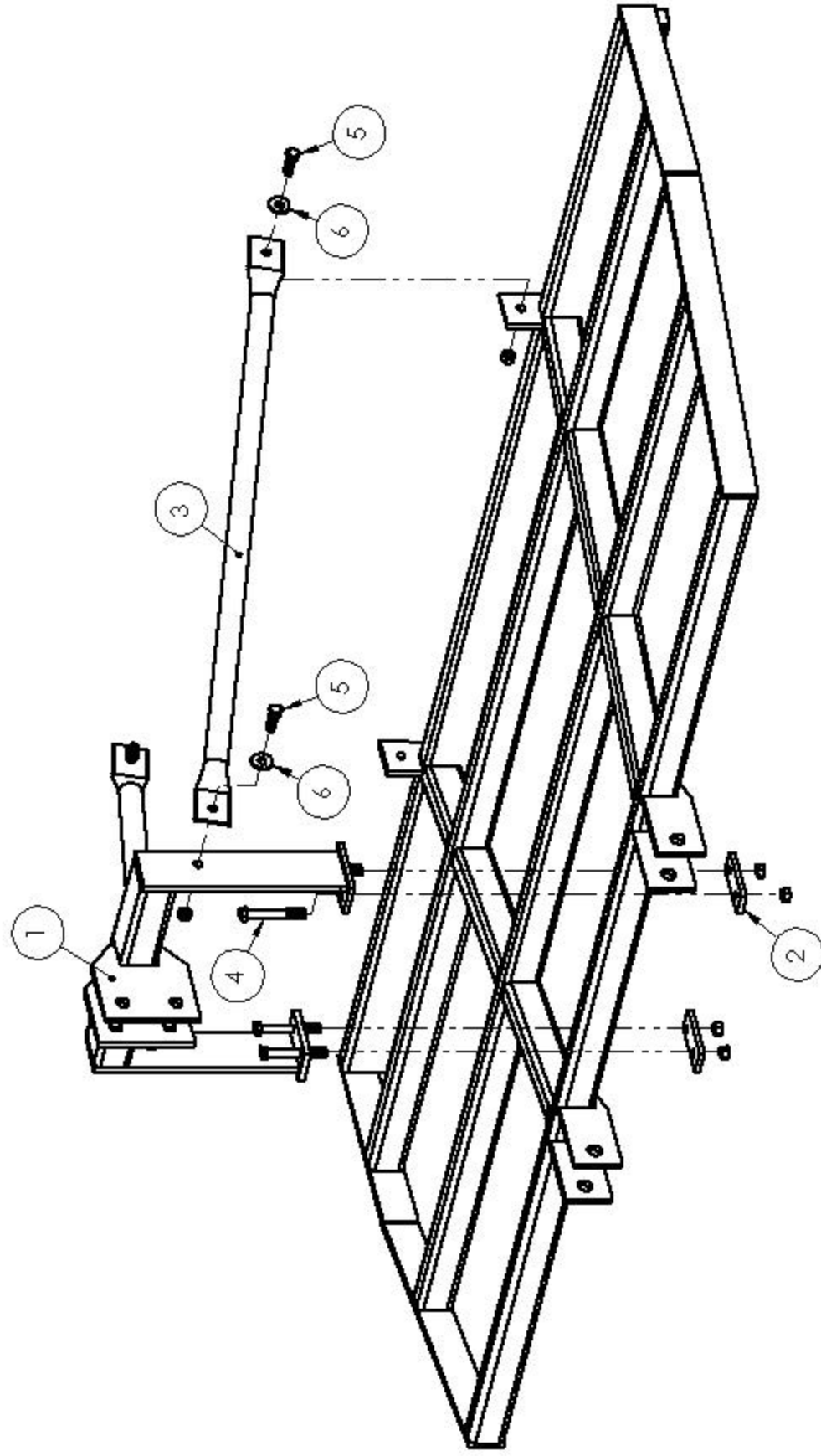
ITEM	QTY	PART NO	DESCRIPTION
			MAIN FRAME WELDMENT
	1	3004	4' Frame Only
	1	3005	5' Frame Only
	1	3006	6' Frame Only
	1	3007	7' Frame Only
	1	3008	8' Frame Only
	1	3009	5 1/2' Frame Only
	1	3010	10' Frame Only
	1	3012	12' Frame Only
	1	3013	13' Frame Only
	1	3014	14' Frame Only
	1	3015	15' Frame Only
			SC10-15 HITCH ASSEMBLY
1	1	3020	3-Point Hitch Top Bracket
2	2	3021	Hitch Clamp Plate
3	2	3022	Hitch Brace
4	4		5/8" x 5" NC Gr. 5 Cap Screw w/Nylock Nut
5	4		5/8" x 2" NC Gr. 5 Cap Screw w/Nylock Nut
6	4		5/8" Flat Washer
			SPRING ARM ASSEMBLY
		3040	Spring Arm Complete
1	1	3041	Spring Arm Base
2	1	3043	Crumbler Extension
3	1	3042	Spike Bar Mount
4	1	3152	Spring
5	1	3044	Spring Tension Adjustment Bracket
6	1	3187	5/8" x 1 7/8" Pin
7	1	3185	1" x 4" Pin, (order 2 - 3193 with this pin)
8	1	3184	1" x 4 1/2" Pin, (order 2 - 3193 with this pin)
9	1	3186	5/8" x 4 1/2" Pin, (order 2 - 3193 with this pin)
10	1	3192	1/2" x 3" NC Tap Bolt w/nut
11	6	3193	3/16" x 1 1/2" Cotter Pin
			SPIKE BAR ASSEMBLY
		3064	4' Spike Bar Complete *with 8 - 3150 and 8 - 3191
		3065	5' Spike Bar Complete *with 10 - 3150 and 10 - 3191
		3066	6' Spike Bar Complete * with 12 - 3150 and 10 - 3191
		3067	7' Spike Bar Complete * with 14 - 3150 and 14 - 3191
		3068	5 1/2' Spike Bar Complete *with 11 - 3150 and 11 - 3191
		3069	8' Spike Bar Complete *with 16 - 3150 and 16 - 3191
1	*	3150	3/4" x 11" Spike
2	*	3191	3/8" NC V-Bolt w/ Nuts And Lock Washers

ITEM	QTY	PART NO	DESCRIPTION
			CRUMBLER ASSEMBLY
		3114	4' Crumbler Complete
		3115	5' Crumbler Complete
		3116	6' Crumbler Complete
		3117	7' Crumbler Complete
		3118	5 1/2' Crumbler Complete
		3119	8' Crumbler Complete
1	1	3084	4' Crumbler
	1	3085	5' Crumbler
	1	3086	6' Crumbler
	1	3087	7' Crumbler
	1	3088	5 1/2' Crumbler
	1	3089	8' Crumbler
2	1	3094	4' Crumbler Brace
	1	3095	5' Crumbler Brace
	1	3096	6' Crumbler Brace
	1	3097	7' Crumbler Brace
	1	3098	5 1/2' Crumbler Brace
	1	3099	8' Crumbler Brace
3	2	3157	Crumbler Bearing w/lock Collar
4	8	3198	7/16" NC Carriage Bolt w/Nut & Lock Washer
			GAUGE WHEEL ASSEMBLY
		GW	1 Pair - Gauge Wheel Assemblies
		3162	Complete 2000 HG 2 K Hub Group Bearing Kit
1	2	3127	Gauge Wheel Mounting Clamp
2	2	3128	Gauge Wheel Clamp Plate
3	2	3125	Gauge Wheel Shank/Spindle Weldment
4	2	3126	5/8" Adjustment Pin w/Keeper
5	8		1/2" x 3 1/2" NC Gr. 5 Cap Screw w/Nylock Nut
6	2	3160	18.5 x 8.5 x 8 LRC Tire & Wheel
7	2	3161	Hub 545 w/ Bearing Races
8	2	3163	Seal
9	4	3164	Bearing L44643
10	4	3165	Race L44610
11	2	3166	Washer
12	2	3167	Slotted Nut
13	2	3168	Cotter Pin
14	2	3169	Cap
15	10	3170	1/2" Lug Nut

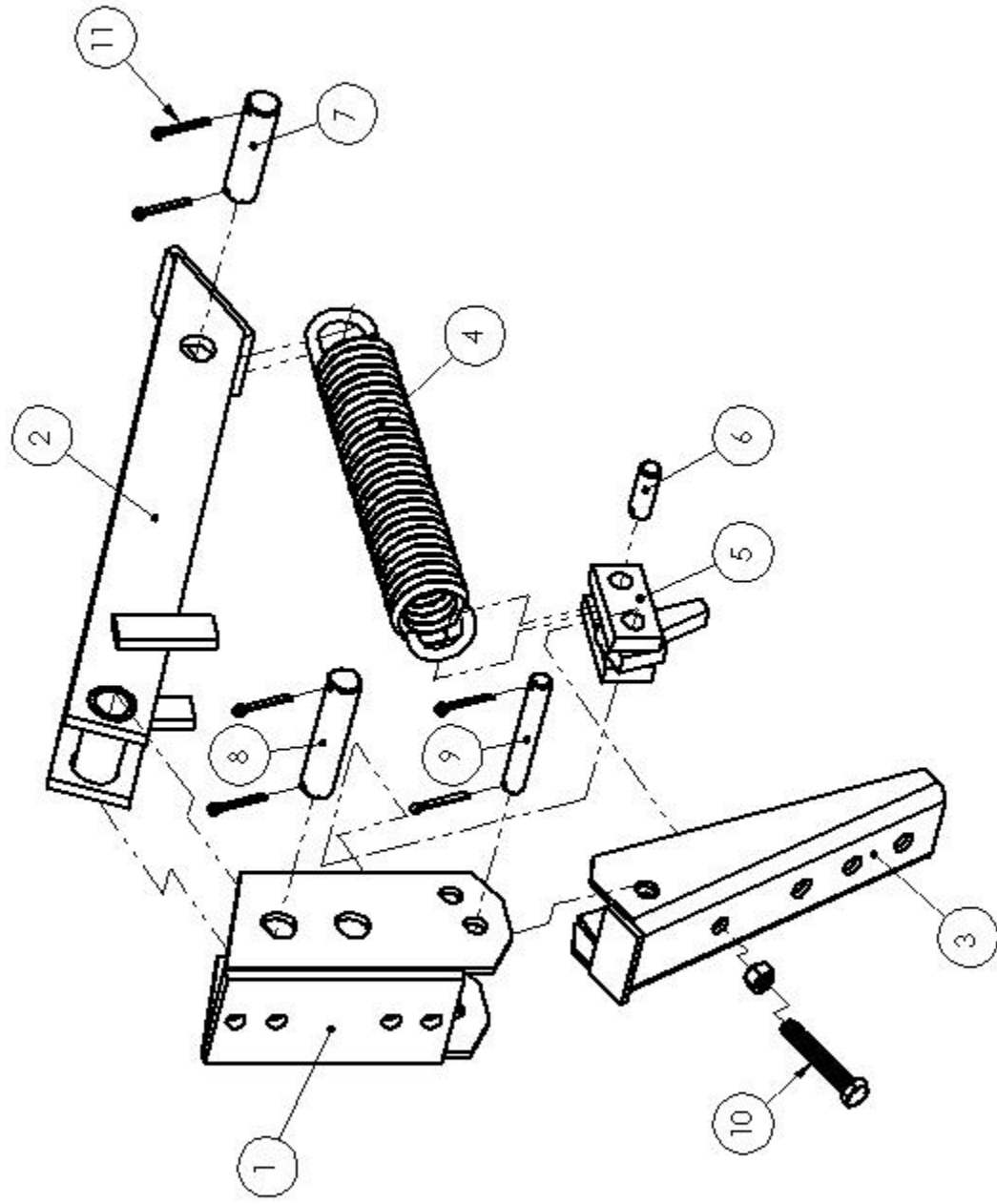
SOIL CONDITIONER ASSEMBLY



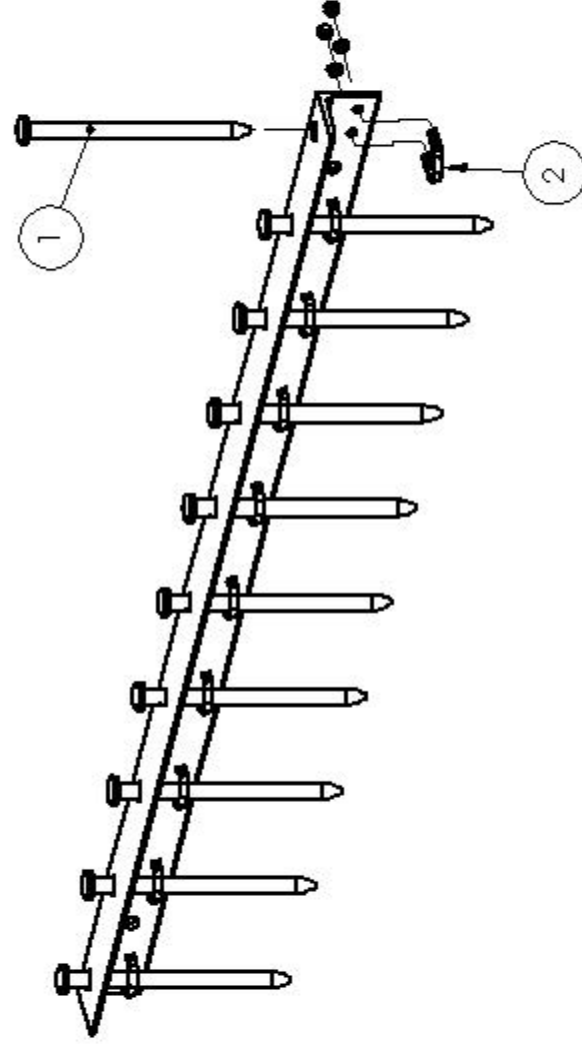
SC10-15 HITCH ASSEMBLY



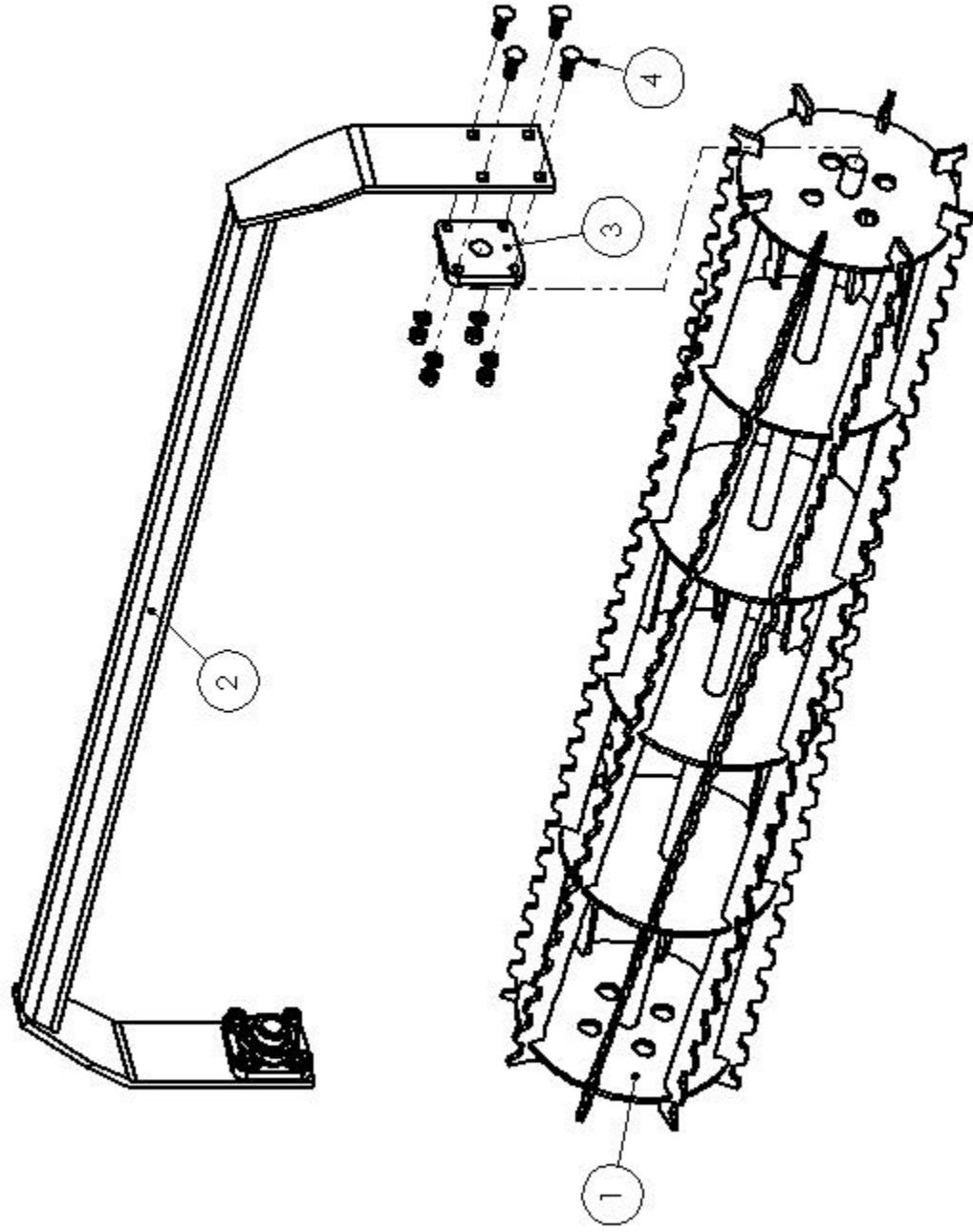
SPRING ARM ASSEMBLY



SPIKE BAR ASSEMBLY



CRUMBLER ASSEMBLY



NORTHSTAR

ATTACHMENTS
VALKIA WIA

GAUGE WHEEL ASSEMBLY

